

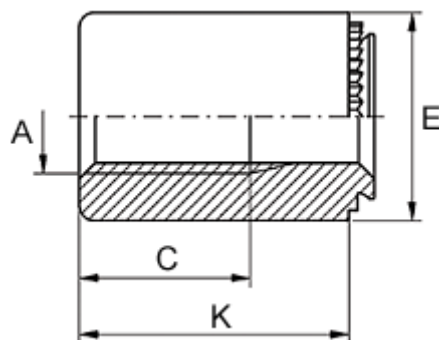
Data Sheet



Article number: 12510800350100

Description: KLEE-coil 510 800 350.100
M5 Hardened, zinc-pl. & chr. yellow

Measures



| | |
|---------------------------------|------------|
| Female thread A | = M5 |
| Height K | = 10 |
| Min distance to edge | = 4.0 |
| Outer diameter E | = 9 |
| Plate thickness | = from 2.4 |
| Recommended bore diameter +0.05 | = 6.00 |
| Thread length | = 8.0 |